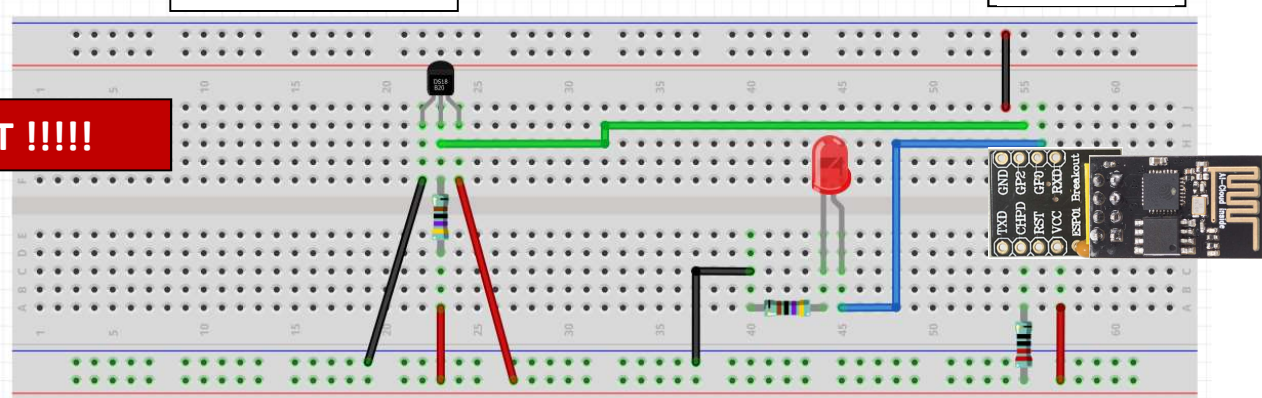


Dallas DS18B20 with 4.7KΩ resistor

GND - Power Supply Ground
GP2 - DS18B20
GP0 - LED
RXD

MAX 3.3 VOLT !!!!!



LED 3V with 4.7KΩ resistor

TXD
CHPD - 10KΩ resistor
RST
VCC - Power Supply 3V



NodeMCU ESP-12 development

PIN DEFINITION

